

PARTS CATALOG

T5.120 Electro Command Tractor Tier IV

Print No. 696041227PC
3/2016



PARTS CATALOG

T5.120 Electro Command Tractor Tier IV

Print No. 696041227PC
3/2016



NEW HOLLAND

AGRICULTURE

All rights reserved by **CNHi**.

The information contained in this catalogue is intended to be of a general nature only. **CNHi** may at any time and from time to time, for technical or other necessary reasons, modify any of the details or specifications of the product described in this catalogue.

To be sure of getting accurate, detailed and up-to-date information, an intending buyer should consult his nearest **CNHi** dealer or distributor.

Single item numeration method used in this catalogue may not be used without written consent from **CNHi**.

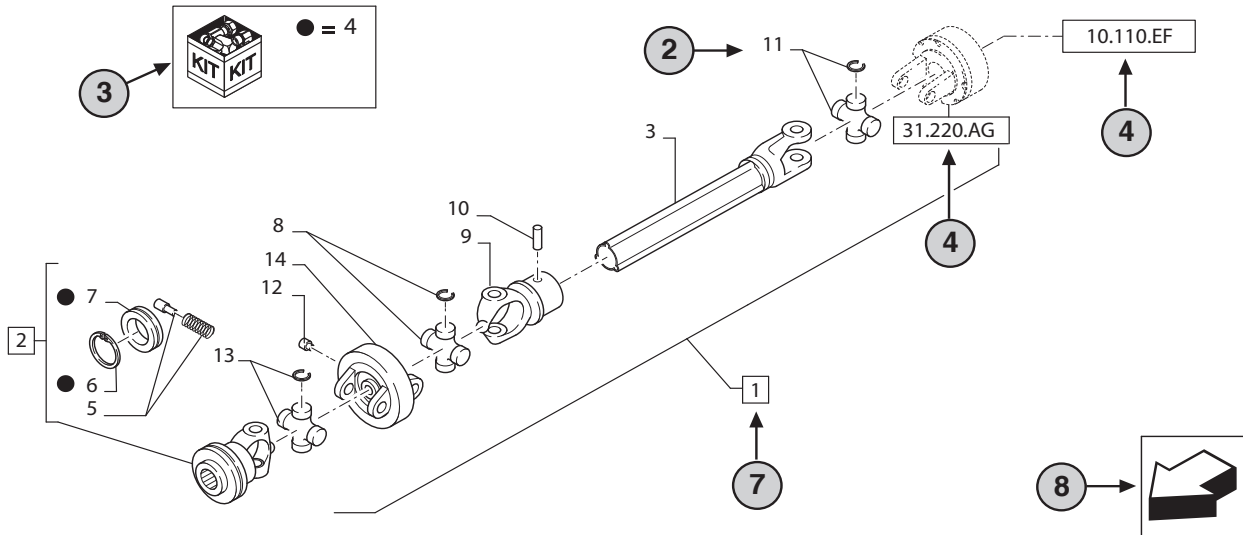
31.220.AD

01

p1

10/2014

VAR - 123782, 789101,987654 - PTO - D650



STANDARD ← 6

23

9

10

31.220.AD

01

p1

10/2014

VAR - 123782, 789101,987654 - PTO - D650

11

12

13

14

REF	FN	PART NUMBER	YR/SN	QTY	DESCRIPTION
1	1	86529340	↑ 20	1	SHAFT PTO, Incl 2 - 11
2	↑ 15	84014007		1	YOKE, Incl 4 - 7 ← 7
3	↑ 16	NSS		1	NOT SERVICED SEPARATELY, SHAFT, 350mm, Incl in 1
4		84004292		1	KIT, Seal Kit, Incl 6, 7 ↑ 17
4		{84058743}		1	KIT, Seal Kit, Incl 6, 7
↑ 2	↑ 18	↑ 19		↑ 21	↑ 22
		1 = FOR ITALY ONLY ← 5			

MODELS ← 1


- 1 Model Number and Model Description
- 2 Reference - Figure call-out of the part number.
- 3 Parts supplied in repair kits per symbol reference.
- 4 31.220.AD Part illustrated on the **Page** or in the **Figure** indicated, or calls for **Variations** or **Details**. Indicates components shown in detail elsewhere in the catalogue under the figure number shown.
- 5 Footnote references
- 6 Figure notes
- 7 1 2 Includes item(s) (See Description within partlist).
- 8 Orientation. (Arrow indicates front of the machine). 
- 9 Figure description.
- 10 General information of the figure.
- 11 Figure title number that aligns with the SRT. Standard Repair Time.
- 12 **Sequence** code within the assembly.
- 13 Page number within the sequence code.
- 14 **Date** of printing or updating of page (month-year).
- 15 **Note** - Relating to the Part Number. There is a key to symbols and abbreviations at the bottom of the text page.
- 16 Non-serviced parts.
- 17 Further description of the part to help confirm identification.
- 18 Not available as service part.
- 19 Part Number.
- 20 To be defined.
- 21 Total **Quantity** of the Part referred to in the page.
The quantity can be replaced by the following indications:
AR = quantity as requested.
- 22 Part **Description**.
- 23 Variant Codes

TABLE OF CONTENTS

00.000.00		PICTORIAL INDEX - MAIN SECTIONS
00.000.05		SECTION INDEX - MACHINE COMPLETION & EQUIPMENT
00.000.10	01	PICTORIAL INDEX - ENGINE
00.000.10	02	PICTORIAL INDEX - ENGINE
00.000.18		PICTORIAL INDEX - CLUTCH
00.000.21		PICTORIAL INDEX - TRANSMISSION
00.000.23		PICTORIAL INDEX - 4WD LINES
00.000.25		PICTORIAL INDEX - FRONT AXLE SYSTEM
00.000.27		PICTORIAL INDEX - REAR AXLE SYSTEM
00.000.31		PICTORIAL INDEX - IMPLEMENT POWER TAKE-OFF
00.000.33		PICTORIAL INDEX - BRAKES & CONTROLS
00.000.35	01	PICTORIAL INDEX - HYDRAULIC SYSTEMS
00.000.35	02	PICTORIAL INDEX - HYDRAULIC SYSTEMS
00.000.35	03	PICTORIAL INDEX - HYDRAULIC SYSTEMS
00.000.35	04	PICTORIAL INDEX - HYDRAULIC SYSTEMS
00.000.37		PICTORIAL INDEX - HITCHES, DRAWBARS AND IMPLEMENT COUPLINGS
00.000.39		PICTORIAL INDEX - FRAME
00.000.41		PICTORIAL INDEX - STEERING
00.000.44	01	PICTORIAL INDEX - WHEELS
00.000.44	02	PICTORIAL INDEX - WHEELS
00.000.44	03	PICTORIAL INDEX - WHEELS
00.000.44	04	PICTORIAL INDEX - WHEELS
00.000.50		PICTORIAL INDEX - CAB CLIMATE CONTROL
00.000.55	01	PICTORIAL INDEX - ELECTRICAL SYSTEMS
00.000.55	02	PICTORIAL INDEX - ELECTRICAL SYSTEMS
00.000.55	03	PICTORIAL INDEX - ELECTRICAL SYSTEMS
00.000.55	04	PICTORIAL INDEX - ELECTRICAL SYSTEMS
00.000.82		PICTORIAL INDEX - FRONT LOADER
00.000.88		PICTORIAL INDEX - ACCESSORIES
00.000.90	01	PICTORIAL INDEX - PLATFORM, CAB, BODYWORK AND DECALS
00.000.90	02	PICTORIAL INDEX - PLATFORM, CAB, BODYWORK AND DECALS
00.000.90	03	PICTORIAL INDEX - PLATFORM, CAB, BODYWORK AND DECALS
00.000.90	04	PICTORIAL INDEX - PLATFORM, CAB, BODYWORK AND DECALS
00.100.04	01	OPTIONAL EQUIPMENT

TABLE OF CONTENTS

00.100.04	02	OPTIONAL EQUIPMENT
00.100.04	03	OPTIONAL EQUIPMENT
00.100.04	04	OPTIONAL EQUIPMENT
00.100.04	05	OPTIONAL EQUIPMENT
05.000.00		PICTORIAL INDEX - MACHINE COMPLETION AND EQUIPMENT
05.100.01		INITIAL STOCKING LIST (LIST A)
05.100.02		INITIAL STOCKING LIST (LIST B)
05.100.032		CAPACITIES
05.100.041		MAINTENANCE PARTS - FILTERS
05.100.042		MAINTENANCE PARTS - STARTER MOTOR, ALTERNATOR, BELTS
05.100.043		MAINTENANCE PARTS - FUSES
05.100.044		MAINTENANCE PARTS - BULBS
05.100.045		MAINTENANCE PARTS - PUMPS
10.000.00	01	SECTION INDEX - ENGINE
10.000.00	02	SECTION INDEX - ENGINE
10.001.010		VAR - 334773, 391263 - ENGINE
10.103.010		VAR - 334773, 391263 - ENGINE FLYWHEEL
10.202.010		VAR - 330200, 390200 - AIR CLEANER
10.202.020		VAR - 758304, 758305, 758308 - AIR CLEANER, AIR DUCTS & HOSES
10.202.040		VAR - 750311, 758306, 758307, 758309, 758310, 758337 - AIR CLEANER, AIR DUCTS & HOSES, EU
10.202.050		VAR - 758304 - AIR CLEANER, BRACKET
10.206.010		VAR - 336763, 336764, 390210 - FUEL FILTER, COMPONENTS
10.216.010		VAR - 336763, 336764, 390210 - FUEL TANK, SUPPORT
10.216.020		VAR - 390210 - FUEL TANK
10.216.030		VAR - 336763, 336764 - FUEL TANK, W/ LOCKABLE FUEL CAP
10.216.040		VAR - 336763, 336764, 390210 - FUEL TANK
10.216.050		VAR - 336764 - FUEL TANK, W/ SHIELD
10.216.060		VAR - 336763, 336764, 390210 - FUEL TANK, FILTER & LINE
10.254.010		VAR - 334773, 391263 - VERTICAL EXHAUST
10.254.020		VERTICAL EXHAUST, SUPPORT
10.310.010		VAR - 330308, 390399, 758331 - AFTERCOOLER
10.310.020		VAR - 330308, 390399, 758331 - AFTERCOOLER, W/ SUSPENDED FRONT AXLE
10.310.030		VAR - 334773, 391263 - AFTERCOOLER LINE
10.310.040		VAR - 335156, 335157, 390789 - FRONT AXLE SUPPORT, FLAP

TABLE OF CONTENTS

10.310.050	VAR - 744558, 744942 - FRONT AXLE SUPPORT, MULTIFUNCTIONAL, FLAP
10.310.060	VAR - 744558, 744942, 758336 - SUSPENDED FRONT AXLE, SUPPORT, FLAP
10.310.070	VAR - 758385 - SUSPENDED FRONT AXLE, SUPPORT, FLAP
10.400.010	VAR - 330308, 390399, 758331 - RADIATOR FAN SHROUD
10.400.020	VAR - 390200 - RADIATOR FAN SHROUD
10.400.030	VAR - 330200 - RADIATOR FAN SHROUD, W/ DUST EJECTOR TUBE
10.400.040	VAR - 330308, 390399, 758331 - RADIATOR FAN SHROUD, SUPPORT
10.400.050	VAR - 337707, 758604 - RADIATOR FAN SHROUD, SUPPORT
10.400.060	VAR - 335156, 390789, 744558, 744942, 758385 - FRONT AXLE SUPPORT, RADIATOR, SEAL
10.400.070	VAR - 744943, 758280, 758288 - FRONT AXLE SUPPORT, MULTIFUNCTIONAL, RADIATOR, SEAL
10.400.080	VAR - 337707, 744942, 758604 - SUSPENDED FRONT AXLE, SUPPORT, RADIATOR, SEAL
10.414.010	VAR - 334773, 391263 - FAN & PULLEY
10.414.020	VAR - 391192 - ALTERNATOR (120A), BELT
10.414.030	VAR - 332192 - ALTERNATOR (150A-200A), BELT
10.500.010	VAR - 334773, 391263 - EXHAUST SYSTEM, CATALYST
10.500.020	VAR - 334773, 391263 - EXHAUST SYSTEM, CATALYST, SUPPORT
10.500.030	VAR - 334773, 391263 - EXHAUST SYSTEM, PIPE
10.500.040	VAR - 334773, 391263 - EXHAUST SYSTEM, MUFFLER
10.500.050	VAR - 334773, 391263 - EXHAUST SYSTEM, PILLAR
10.500.060	VAR - 334773, 391263 - DEF/ADBLUE™ LINES
10.500.070	VAR - 334773, 391263 - DEF/ADBLUE™ LINES
10.500.080	VAR - 390210 - DEF/ADBLUE™ TANK
10.500.090	VAR - 336763, 336764 - DEF/ADBLUE™ TANK, W/ LOCKABLE FUEL CAP
10.500.100	VAR - 744711 - COVER, EXHAUST SYSTEM
10.500.110	VAR - 744712, 744713, 758980 - COVER, EXHAUST SYSTEM
18.000.00	SECTION INDEX - CLUTCH
18.100.010	VAR - 331444, 332147, 335387, 335434, 336730, 339434, 391246 - CLUTCH, PEDAL
18.100.020	VAR - 332147, 335387, 335434, 339434, 391246 - CLUTCH, PEDAL
18.104.010	VAR - 334114, 334115, 334117, 334775, 334778, 334779, 334780, 390430 - PTO CLUTCH, VALVE
18.104.020	VAR - 334114, 334115, 334117, 334775, 334778, 334779, 334780, 390430 - PTO CLUTCH, VALVE
18.104.030	VAR - 334114, 334117, 334779, 334780 - PTO CLUTCH, VALVE
18.110.010	VAR - 334114, 334115, 334117, 390430 - CLUTCH
21.000.00	SECTION INDEX - TRANSMISSION
21.103.010	VAR - 334119, 390434 - HYDRAULIC LINE, TRANSMISSION, ACCUMULATOR

TABLE OF CONTENTS

21.109.010	VAR - 330308, 337707, 390399, 758331, 758604 - TRANSMISSION, OIL COOLER
21.109.020	VAR - 330308, 390399, 758331 - TRANSMISSION, COOLING SYSTEM LINE
21.109.030	VAR - 337707, 758604 - TRANSMISSION, COOLING SYSTEM LINE
21.109.040	VAR - 334119, 390434 - TRANSMISSION, COOLING SYSTEM LINE
21.111.010	VAR - 334114, 334115, 334117, 334775, 334778, 334779, 334780, 390430 - TRANSMISSION, SEMI-POWERSHIFT, HOUSING, FRONT
21.111.020	VAR - 334114, 334115, 334117, 334775, 334778, 334779, 334780, 390430 - TRANSMISSION, SEMI-POWERSHIFT, HOUSING, REAR
21.111.030	VAR - 758289 - TRANSMISSION, HYDRAULIC LIFT, PIPE
21.111.040	VAR - 758303 - PLUG, TRANSMISSION, SEMI-POWERSHIFT, HOUSING
21.133.010	VAR - 334114, 334115, 334117, 334775, 334778, 334779, 334780, 390430 - TRANSMISSION, SEMI-POWERSHIFT, EXTERNAL CONTROL
21.133.020	VAR - 334114, 334115, 334117, 334775, 334778, 334779, 334780, 390430 - TRANSMISSION, SEMI-POWERSHIFT, EXTERNAL CONTROL, COVER
21.133.030	VAR - 334114, 334115, 334117, 334775, 334778, 334779, 334780, 390430 - TRANSMISSION, SEMI-POWERSHIFT, EXTERNAL CONTROL, ROD & FORKS
21.133.040	VAR - 334114, 334115, 334117, 334775, 334778, 334779, 334780, 390430 - TRANSMISSION, SEMI-POWERSHIFT, EXTERNAL CONTROL, ROD & FORKS
21.133.050	VAR - 393286 - TRANSMISSION, SEMI-POWERSHIFT, CONTROL LEVER, GEARSHIFT
21.133.060	VAR - 331286 - TRANSMISSION, SEMI-POWERSHIFT, CONTROL LEVER, GEARSHIFT
21.133.070	VAR - 331286 - TRANSMISSION, SEMI-POWERSHIFT, CONTROL LEVER, GEARSHIFT
21.148.010	VAR - 330801, 331729, 334792, 391727, 390433 - SPACER, PIPE, CENTRAL REDUCTION GEAR
21.152.020	VAR - 334114, 334115, 334117, 334775, 334778, 334779, 334780, 390430 - TRANSMISSION, POWERSHUTTLE, INTERNAL, COMPONENTS, GEARS & SHAFT
21.152.030	VAR - 334114, 334115, 334117, 334775, 334778, 334779, 334780, 390430 - TRANSMISSION, SEMI-POWERSHIFT, INTERNAL, COMPONENTS, CLUTCH MECHANISM
21.152.040	VAR - 334114, 334775, 334779, 390430 - TRANSMISSION, SEMI-POWERSHIFT, INTERNAL, COMPONENTS, GEAR REDUCTION UNIT
21.152.050	VAR - 334115, 334775, 334778, 390430 - TRANSMISSION, SEMI-POWERSHIFT, INTERNAL, COMPONENTS, GEAR, REDUCTION
21.152.060	VAR - 334114, 334115, 334117, 334775, 334778, 334779, 334780, 390430 - TRANSMISSION, SEMI-POWERSHIFT, INTERNAL, COMPONENTS, GEAR REDUCTION UNIT, CONTROL
21.152.070	VAR - 334114, 334115, 334117, 334775, 334778, 334779, 334780, 390430 - TRANSMISSION, SEMI-POWERSHIFT, INTERNAL, COMPONENTS, REVERSER
21.152.080	VAR - 334114, 334115, 334117, 334775, 334778, 334779, 334780, 390430 - TRANSMISSION, SEMI-POWERSHIFT, INTERNAL, COMPONENTS, GEAR, REDUCTION
21.152.090	VAR - 334115, 334117, 334778, 334780 - TRANSMISSION, SEMI-POWERSHIFT, EXTERNAL CONTROL, ROD & FORKS
21.152.100	VAR - 334114, 334115, 334117, 334775, 334778, 334779, 334780, 390430 - TRANSMISSION, SEMI-POWERSHIFT, INTERNAL, COMPONENTS, GEAR, HI-LO
21.152.110	VAR - 334114, 334115, 334117, 334775, 334778, 334779, 334780, 390430 - TRANSMISSION, SEMI-POWERSHIFT, INTERNAL, COMPONENTS, GEAR, HI-LO
21.160.010	VAR - 334114, 334117, 334778, 334779, 334780 - CREEPER, GEARS & SHAFT
23.000.00	SECTION INDEX - 4WD LINES
23.304.010	VAR - 391264 - GEAR, CLUTCH, 4WD
23.304.020	VAR - 330333 - GEAR, CLUTCH, 4WD
23.304.030	VAR - 391264, 330333 - GEAR, CLUTCH, 4WD, OUTPUT SHAFT

TABLE OF CONTENTS

23.304.040	VAR - 337707, 758604 - 4WD ENGAGEMENT CLUTCH CONTROL
23.314.010	VAR - 758609 - FRONT DRIVE SHAFT
23.314.020	VAR - 330448 - FRONT DRIVE SHAFT
23.314.030	VAR - 758609 - FRONT DRIVE SHAFT, PROTECTION, LESS WATERPROOF
23.314.040	VAR - 330448 - FRONT DRIVE SHAFT, PROTECTION, WATERPROOF
23.314.050	VAR - 337260 - SUSPENDED FRONT AXLE
23.314.060	VAR - 744558, 758288, 758385, 758578 - 4WD DRIVESHAFT FOR SUSPENDED FRONT AXLE
23.314.070	VAR - 744558, 758288, 758385, 758578 - 4WD DRIVESHAFT FOR SUSPENDED FRONT AXLE, LINK
25.000.00	SECTION INDEX - FRONT AXLE SYSTEM
25.100.010	VAR - 390399 - 4WD FRONT AXLE
25.100.020	VAR - 390399 - 4WD FRONT AXLE, HOUSING
25.100.030	VAR - 330308 - 4WD FRONT AXLE, W/ ELECTROHYDRAULIC DIFFERENTIAL LOCK
25.100.040	VAR - 330308 - 4WD FRONT AXLE, W/ ELECTROHYDRAULIC DIFFERENTIAL LOCK, HOUSING
25.100.050	VAR - 758331 - 4WD FRONT AXLE, W/ ELECTROHYDRAULIC DIFFERENTIAL LOCK, W/ FRONT BRAKES
25.100.060	VAR - 758331 - 4WD FRONT AXLE, W/ ELECTROHYDRAULIC DIFFERENTIAL LOCK, W/ FRONT BRAKES, HOUSING
25.100.070	VAR - 337707 - ADVANCED, 4WD, SUSPENDED FRONT AXLE, W/O BRAKES
25.100.080	VAR - 337707 - ADVANCED, 4WD, SUSPENDED FRONT AXLE, W/O BRAKES, HOUSING
25.100.090	VAR - 758604 - SUSPENDED FRONT AXLE, W/ ELECTROHYDRAULIC DIFFERENTIAL LOCK, W/ FRONT BRAKES, HOUSING
25.100.100	VAR - 335156, 390789 - FRONT AXLE SUPPORT
25.100.110	VAR - 335156, 390789, 744558, 744942, 744943, 758288, 758385 - FRONT AXLE SUPPORT, BRACKET
25.100.120	VAR - 744558, 744942, 744943, 758288, 758385 - FRONT AXLE SUPPORT, MULTIFUNCTIONAL
25.100.130	VAR - 744942, 744943, 754558, 758288, 758336, 758385, 758578 - SUSPENDED FRONT AXLE, SUPPORT, BRACKET
25.100.140	VAR - 744942, 744943, 754558, 758288, 758336, 758385, 758578 - SUSPENDED FRONT AXLE, SUPPORT
25.100.150	VAR - 338381 - PLATE, FRONT AXLE SUPPORT
25.102.010	VAR - 390399 - 4WD FRONT AXLE, BEVEL GEAR, DIFFERENTIAL CARRIER, SUPPORT
25.102.020	VAR - 390399 - 4WD FRONT AXLE, DIFFERENTIAL, W/ LIMITED SLIP DIFFERENTIAL
25.102.030	VAR - 330308 - 4WD FRONT AXLE, W/ ELECTROHYDRAULIC DIFFERENTIAL LOCK, BEVEL GEAR, SUPPORT
25.102.040	VAR - 330308 - 4WD FRONT AXLE, ELECTROHYDRAULIC DIFFERENTIAL LOCK
25.102.050	VAR - 330308 - 4WD FRONT AXLE, ELECTROHYDRAULIC DIFFERENTIAL LOCK, HOUSING
25.102.060	VAR - 758331 - 4WD FRONT AXLE, W/ ELECTROHYDRAULIC DIFFERENTIAL LOCK, W/ FRONT BRAKES, BEVEL GEAR, SUPPORT
25.102.070	VAR - 758331 - 4WD FRONT AXLE, W/ ELECTROHYDRAULIC DIFFERENTIAL LOCK, W/ FRONT BRAKES, DIFFERENTIAL
25.102.080	VAR - 758331 - 4WD FRONT AXLE, W/ ELECTROHYDRAULIC DIFFERENTIAL LOCK, W/ FRONT BRAKES, DIFFERENTIAL, HOUSING

TABLE OF CONTENTS

25.102.090	VAR - 337707 - ADVANCED, 4WD, SUSPENDED FRONT AXLE, W/O BRAKES, BEVEL GEAR, SUPPORT
25.102.100	VAR - 337707 - ADVANCED, 4WD, SUSPENDED FRONT AXLE, W/O BRAKES, DIFFERENTIAL
25.102.110	VAR - 337707 - ADVANCED, 4WD, SUSPENDED FRONT AXLE, W/O BRAKES, DIFFERENTIAL, HOUSING
25.102.120	VAR - 330308, 758331 - ELECTROHYDRAULIC DIFFERENTIAL LOCK, OIL LINE
25.102.130	VAR - 377707 - ELECTROHYDRAULIC DIFFERENTIAL LOCK, OIL LINE
25.102.140	VAR - 337707, 758604 - ELECTROHYDRAULIC DIFFERENTIAL LOCK, OIL LINE
25.102.150	VAR - 758604 - SUSPENDED FRONT AXLE, W/ ELECTROHYDRAULIC DIFFERENTIAL LOCK, W/ FRONT BRAKES, BEVEL GEAR, SUPPORT
25.102.160	VAR - 758604 - SUSPENDED FRONT AXLE, W/ ELECTROHYDRAULIC DIFFERENTIAL LOCK, W/ FRONT BRAKES, DIFFERENTIAL
25.102.170	VAR - 758604 - SUSPENDED FRONT AXLE, W/ ELECTROHYDRAULIC DIFFERENTIAL LOCK, W/ FRONT BRAKES, DIFFERENTIAL, HOUSING
25.102.180	VAR - 758604 - ELECTROHYDRAULIC DIFFERENTIAL LOCK, OIL LINE
25.108.010	VAR - 390399 - 4WD FRONT AXLE, HALF SHAFT
25.108.020	VAR - 390399 - 4WD FRONT AXLE, HALF SHAFT, COMPONENTS
25.108.030	VAR - 330308, 390399 - 4WD FRONT AXLE, PLANETARY GEAR
25.108.040	VAR - 390399 - 4WD FRONT AXLE, WHEEL HUB
25.108.050	VAR - 330308, 390399, 758331 - 4WD FRONT AXLE, FIXED
25.108.060	VAR - 330308 - 4WD FRONT AXLE, W/ ELECTROHYDRAULIC DIFFERENTIAL LOCK, HALF SHAFT
25.108.070	VAR - 330308 - 4WD FRONT AXLE, W/ ELECTROHYDRAULIC DIFFERENTIAL LOCK, HALF SHAFT, COMPONENTS
25.108.080	VAR - 330308 - 4WD FRONT AXLE, W/ ELECTROHYDRAULIC DIFFERENTIAL LOCK, WHEEL HUB
25.108.090	VAR - 758331 - 4WD FRONT AXLE, W/ ELECTROHYDRAULIC DIFFERENTIAL LOCK, W/ FRONT BRAKES, HALF SHAFT
25.108.100	VAR - 758331 - 4WD FRONT AXLE, W/ ELECTROHYDRAULIC DIFFERENTIAL LOCK, W/ FRONT BRAKES, HALF SHAFT, COMPONENTS
25.108.110	VAR - 758331 - 4WD FRONT AXLE, W/ ELECTROHYDRAULIC DIFFERENTIAL LOCK, W/ FRONT BRAKES, WHEEL HUB
25.108.120	VAR - 758331 - 4WD FRONT AXLE, W/ ELECTROHYDRAULIC DIFFERENTIAL LOCK, W/ FRONT BRAKES, PLANETARY GEAR
25.108.130	VAR - 337707 - ADVANCED, 4WD, SUSPENDED FRONT AXLE, W/O BRAKES, HALF SHAFT
25.108.140	VAR - 337707 - ADVANCED, 4WD, SUSPENDED FRONT AXLE, W/O BRAKES, HALF SHAFT, COMPONENTS
25.108.150	VAR - 337707 - ADVANCED, 4WD, SUSPENDED FRONT AXLE, W/O BRAKES, WHEEL HUB & STEERING KNUCKLE
25.108.160	VAR - 337707 - ADVANCED, 4WD, SUSPENDED FRONT AXLE, W/O BRAKES, PLANETARY GEAR
25.108.170	VAR - 758604 - SUSPENDED FRONT AXLE, W/ ELECTROHYDRAULIC DIFFERENTIAL LOCK, W/ FRONT BRAKES, HALF SHAFT
25.108.180	VAR - 758604 - SUSPENDED FRONT AXLE, W/ ELECTROHYDRAULIC DIFFERENTIAL LOCK, W/ FRONT BRAKES, HALF SHAFT, COMPONENTS
25.108.190	VAR - 758604 - SUSPENDED FRONT AXLE, W/ ELECTROHYDRAULIC DIFFERENTIAL LOCK, W/ FRONT BRAKES, WHEEL HUB & STEERING KNUCKLE
25.108.200	VAR - 758604 - SUSPENDED FRONT AXLE, W/ ELECTROHYDRAULIC DIFFERENTIAL LOCK, W/ FRONT BRAKES, PLANETARY GEAR
25.122.010	VAR - 337707, 758604 - SUSPENDED FRONT AXLE, VALVE

TABLE OF CONTENTS

25.122.020	VAR - 337707, 758604 - SUSPENDED FRONT AXLE, VALVE, LINES
25.122.030	VAR - 744558, 758288, 758385, 758578 - SUSPENDED FRONT AXLE, CYLINDER
25.122.040	VAR - 337707, 758604 - SUSPENDED FRONT AXLE, VALVE, COMPONENTS
27.000.00	SECTION INDEX - REAR AXLE SYSTEM
27.106.010	VAR - 391264 - DIFFERENTIAL GEAR
27.106.020	VAR - 391264 - DIFFERENTIAL GEAR, COMPONENTS
27.106.030	VAR - 330333 - DIFFERENTIAL GEAR, WET, DIFFERENTIAL LOCK
27.106.040	VAR - 330333 - DIFFERENTIAL GEAR, DOG, CLUTCH
27.106.050	VAR - 334114, 334115, 334117, 334775, 334778, 334779, 334780, 390430 - DIFFERENTIAL GEAR, BEVEL PINION
27.106.060	VAR - 337260, 758609 - FINAL DRIVE, GEAR
27.106.070	VAR - 330448 - FINAL DRIVE, GEAR
27.120.010	VAR - 390319 - FINAL DRIVE HOUSING
27.120.020	VAR - 391264 - PLANETARY GEAR, HOUSING
27.120.030	VAR - 330333 - PLANETARY GEAR, HOUSING
27.120.040	VAR - 331444, 332147, 335387, 335434, 336730, 339434, 391246 - CLUTCH, PEDAL
27.120.050	PLANETARY GEAR, HOUSING, FIXED
27.120.060	PLANETARY GEAR, HOUSING, FIXED
27.120.070	VAR - 332147, 335387, 335434, 339434, 391246 - CLUTCH, PEDAL
31.000.00	SECTION INDEX - IMPLEMENT POWER TAKE-OFF
31.104.010	VAR - 391727 - REAR PTO, ROD & FORKS, 2-SPEED, EU
31.104.020	VAR - 390433 - REAR PTO, ROD & FORKS, 2-SPEED, NA
31.104.030	VAR - 330801, 331729, 331819, 391727 - REAR PTO, CONTROLS
31.104.040	VAR - 331819, 334793 - PTO 540/540E/1000 RPM, REAR, EU
31.104.050	VAR - 331819, 334793 - PTO 540/540E/1000 RPM, REAR, EU
31.104.060	VAR - 330801, 331819 - REAR PTO, ROD & FORKS, 3-SPEED, EU
31.104.070	VAR - 331729 - REAR PTO, ROD & FORKS, 3-SPEED
31.104.080	VAR - 334792, 334793 - PTO 540/1000/1000E RPM, CONTROL, REAR, EU
31.104.090	VAR - 334792, 334793 - PTO 540/1000/N/1000E RPM, CONTROL, REAR, EU
31.104.100	VAR - 331819, 334793 - PTO, CONTROLS, W/ GROUND SPEED, REAR, EU
31.114.010	VAR - 391727 - REAR PTO, HOUSING & COVERS, 2-SPEED, EU
31.114.020	VAR - 391727 - REAR PTO, DRIVEN SHAFT, 2-SPEED, EU
31.114.030	VAR - 390433 - REAR PTO, HOUSING & COVERS, 2-SPEED, NA
31.114.040	VAR - 390433 - REAR PTO, DRIVEN SHAFT, 2-SPEED, NA

TABLE OF CONTENTS

31.114.050	VAR - 330801, 331729, 331819, 334792, 334793, 390433, 391727 - REAR PTO, CLUTCH, DISC
31.114.060	VAR - 330801, 331729, 331819, 334792, 334793, 390433, 391727 - REAR PTO, COVERS, OIL, INDICATOR
31.114.070	VAR - 334114, 334115, 334117, 334775, 334778, 334779, 334780, 390430 - REAR PTO, CLUTCH, SHAFT
31.114.080	VAR - 330801, 331729, 331819, 334792, 334793, 390433, 391727 - PTO, CLUTCH, SHAFT
31.114.090	VAR - 330912, 390891 - PTO, SHIELD, EU
31.114.100	VAR - 330905, 330935, 331945 - PTO, SHIELD
31.114.110	VAR - 330772, 330928, 330952, 332954, 335127, 335129 - PTO, SHIELD, EU
31.116.020	VAR - 330801, 331819 - REAR PTO, DRIVEN SHAFT, 3-SPEED, EU
31.116.030	VAR - 331729 - REAR PTO, DRIVEN SHAFT, 3-SPEED, EU
31.116.040	VAR - 331729 - REAR PTO, HOUSING & COVERS, 3-SPEED, NA
31.116.050	VAR - 331729 - REAR PTO, DRIVEN SHAFT, 3-SPEED, NA
31.142.010	VAR - 758288, 744943 - FRONT PTO, HYDRAULIC LINE
31.142.020	VAR - 758288, 744943, 758578 - FRONT PTO, HYDRAULIC LINE
31.142.030	VAR - 758288, 744943, 758578 - FRONT PTO, HYDRAULIC LINE
31.142.040	VAR - 758288, 744943, 758578 - FRONT PTO, HYDRAULIC LINE
31.146.010	VAR - 744943, 758578, 758288 - FRONT PTO
31.146.020	VAR - 744943, 758578, 758288 - FRONT PTO, CLUTCH
33.000.00	SECTION INDEX - BRAKES & CONTROLS
33.110.010	VAR - 331444, 332147, 335387, 335434, 336730, 339434, 391246 - PARKING BRAKE, CABLE
33.110.020	VAR - 331444, 332147, 335387, 335434, 336730, 339434, 391246 - HAND BRAKE, COMPONENTS
33.110.030	VAR - 393286 - PARKING BRAKE, W/O PARKING LOCK
33.110.040	VAR - 393286 - PARKING BRAKE, DISC, EXTERNAL CONTROL
33.110.050	VAR - 331286 - PARKING BRAKE, PARKING LOCK
33.110.060	VAR - 332147, 335387, 335434, 339434, 391246 - PARKING BRAKE, CABLE
33.110.070	VAR - 332147, 335387, 335434, 339434, 391246 - HAND BRAKE, COMPONENTS
33.202.010	VAR - 390319, 331444, 332147, 335387, 335434, 336730, 339434, 391246 - BRAKE RESERVOIR, BRAKE CYLINDER
33.202.020	VAR - 390319, 331444, 332147, 335387, 335434, 336730, 339434, 391246 - BRAKE LINES
33.202.030	VAR - 390166 - BRAKE DISC
33.202.040	VAR - 333166, 390166 - BRAKE LINES
33.202.050	VAR - 333166 - BRAKE DISC
33.202.060	VAR - 331444, 332147, 335387, 335434, 336730, 339434, 391246 - BRAKE PACKAGE, PEDAL
33.202.070	VAR - 390319, 332147, 335387, 335434, 339434, 391246 - BRAKE RESERVOIR, BRAKE CYLINDER
33.202.090	VAR - 390319, 332147, 335387, 335434, 339434, 391246 - BRAKE LINES

TABLE OF CONTENTS

33.202.110		VAR - 332147, 335387, 335434, 339434, 391246 - BRAKE PACKAGE, PEDAL
33.204.010		VAR - 758331 - 4WD FRONT AXLE, BRAKE LINES
33.204.020		VAR - 758331 - 4WD FRONT AXLE, CLUTCH DISC
33.204.030		VAR - 758331 - 4WD FRONT AXLE, BRAKE LINES
33.204.040		VAR - 758604 - 4WD FRONT AXLE, BRAKE LINES
33.204.050		VAR - 758331, 758604 - 4WD FRONT AXLE, BRAKE LOGIC VALVE, HEAD
33.204.060		VAR - 758604 - 4WD FRONT AXLE, BRAKE LINES
33.204.070		VAR - 758604 - 4WD FRONT AXLE, CLUTCH DISC
33.224.010		VAR - 758304, 758306, 758310, 758337 - PNEUMATIC TRAILER BRAKE, COVER
33.224.020		VAR - 758304 - TRAILER BRAKE VALVE, BLEED SCREW
33.224.030		VAR - 758304, 758305, 758308 - TRAILER BRAKE VALVE, WIRE HARNESS, SUPPORT
33.224.040		VAR - 758305, 758307, 750311 - PNEUMATIC TRAILER BRAKE, LINES, CONTROL VALVE, EU
33.224.050		VAR - 758308, 758309 - TRAILER BRAKE, LINES, CONTROL VALVE, EU
33.224.060		VAR - 750311, 758305, 758307, 758308, 758309 - TRAILER BRAKE, LINES, CONTROL VALVE, COMPONENTS
33.224.070		VAR - 750311, 758306, 758307, 758309, 758310, 758337 - PNEUMATIC TRAILER BRAKE, COMPRESSOR
33.224.080		VAR - 750311, 758306, 758307, 750309, 758310, 758337 - PNEUMATIC TRAILER BRAKE, AIR RESERVOIR
33.224.090		VAR - 750311, 758306, 758307, 750309, 758310, 758337 - PNEUMATIC TRAILER BRAKE, AIR RESERVOIR
33.224.100		VAR - 750311, 758306, 758307, 750309, 758310, 758337 - PNEUMATIC TRAILER BRAKE, COMPRESSOR, LUBRICATION LINE
33.224.110		VAR - 758306, 758307 - PNEUMATIC TRAILER BRAKE, QUICK COUPLER, UNIVERSAL
33.224.120		VAR - 758309, 758337 - PNEUMATIC TRAILER BRAKE, QUICK COUPLER, ITALY
33.224.130		VAR - 750311, 758310 - PNEUMATIC TRAILER BRAKE, QUICK COUPLER, UK
35.000.00	01	SECTION INDEX - HYDRAULIC SYSTEMS
35.000.00	02	SECTION INDEX - HYDRAULIC SYSTEMS
35.000.00	03	SECTION INDEX - HYDRAULIC SYSTEMS
35.000.00	04	SECTION INDEX - HYDRAULIC SYSTEMS
35.100.010		VAR - 390434 - FILTER, SUCTION PIPE
35.100.020		VAR - 334119 - FILTER, SUCTION PIPE
35.100.030		VAR - 334119 - HYDRAULIC LIFT, PIPE
35.100.040		VAR - 334119 - HYDRAULIC LIFT, PIPE
35.100.050		VAR - 334119, 390434 - HYDRAULIC LIFT, SUCTION PIPE
35.114.010		VAR - 758295 - W/ 3 REAR REMOTE CONTROL VALVES, AUTOMATIC PICK-UP HITCH
35.116.010		VAR - 758289 - LIFT CYLINDER
35.116.020		VAR - 330849, 338844, 758294, 758295 - LIFT CYLINDER, FLEXIBLE HOSE

TABLE OF CONTENTS

35.162.010	VAR - 744942, 744943, 754558, 758288, 758336, 758578 - FRONT 3 POINT HITCH, CYLINDER
35.162.020	VAR - 744558, 744942, 744943, 758288 - FRONT 3 POINT HITCH, LINE, LIFT
35.162.030	VAR - 744558, 744942, 744943, 758288, 758578 - FRONT 3 POINT HITCH, LINE, LOWER
35.162.040	VAR - 744558, 758288 - FRONT 3 POINT HITCH, LINE
35.162.050	VAR - 744558, 758288 - FRONT 3 POINT HITCH, REAR QUICK COUPLER
35.162.060	VAR - 744942, 744943, 758578 - FRONT 3 POINT HITCH, LINE
35.162.070	VAR - 758336, 758578 - FRONT 3 POINT HITCH, LINE
35.162.080	VAR - 744942, 744943, 744558, 758288, 758578 - FRONT 3 POINT HITCH, SUSPENDED FRONT AXLE, LOWER
35.162.090	VAR - 744942, 744943, 744558, 758288, 758386, 758578 - FRONT 3 POINT HITCH, SUSPENDED FRONT AXLE, LIFT
35.162.100	VAR - 744942, 744943 - FRONT 3 POINT HITCH, LINE
35.162.110	VAR - 758336, 758578 - FRONT 3 POINT HITCH, LINE
35.162.120	VAR - 744942, 744943 - FRONT 3 POINT HITCH, LINE
35.204.010	VAR - 390183 - 2 REMOTE CONTROL VALVES, REAR
35.204.020	VAR - 390183 - 2 REMOTE CONTROL VALVES, REAR, COMPONENTS
35.204.030	VAR - 390183, 334195 - 2 REMOTE CONTROL VALVES, REAR, COMPONENTS
35.204.035	VAR - 390183, 334195 - 2 REMOTE CONTROL VALVES, REAR, COMPONENTS
35.204.040	VAR - 390183 - 2 REMOTE CONTROL VALVES, REAR, OIL, LINE
35.204.050	VAR - 334121, 334195, 390183 - 2 REMOTE CONTROL VALVES, REAR, TRANSMISSION OIL
35.204.060	VAR - 330849, 390183 - 2 REMOTE CONTROL VALVES, REAR, CONTROL LEVER
35.204.070	VAR - 334195 - 3 REMOTE CONTROL VALVES, REAR
35.204.080	VAR - 334195 - 3 REMOTE CONTROL VALVES, REAR, COMPONENTS
35.204.090	VAR - 334121 - 3 REMOTE CONTROL VALVES, REAR, OIL, LINE
35.204.100	VAR - 334121, 334195, 758294 - 3 REMOTE CONTROL VALVES, REAR, CONTROL LEVER
35.204.110	VAR - 334121 - 3 REMOTE CONTROL VALVES, REAR, W/ FLOW CONTROL
35.204.120	VAR - 334121 - 3 REMOTE CONTROL VALVES, REAR, W/ FLOW CONTROL, COMPONENTS
35.204.125	VAR - 334121 - 3 REMOTE CONTROL VALVES, REAR, W/ FLOW CONTROL, COMPONENTS
35.204.130	VAR - 334121 - 3 REMOTE CONTROL VALVES, REAR, W/ FLOW CONTROL, COMPONENTS
35.204.140	VAR - 334121 - 3 REMOTE CONTROL VALVES, REAR, W/ FLOW CONTROL, OIL, LINE
35.204.150	VAR - 338844 - 2 REMOTE CONTROL VALVES, REAR
35.204.160	VAR - 338844 - 2 REMOTE CONTROL VALVES, REAR, COMPONENTS
35.204.170	VAR - 338844 - 2 REMOTE CONTROL VALVES, REAR, COMPONENTS
35.204.180	VAR - 338844 - 2 REMOTE CONTROL VALVES, REAR, COMPONENTS
35.204.190	VAR - 338844 - 2 REMOTE CONTROL VALVES, REAR, COMPONENTS

TABLE OF CONTENTS

35.204.200	VAR - 338844 - 2 REMOTE CONTROL VALVES, REAR, CONTROL LEVER
35.204.210	VAR - 330849 - 2 REMOTE CONTROL VALVES, REAR, W/ RECONFIGURABLE REMOTES
35.204.220	VAR - 330849 - 2 REMOTE CONTROL VALVES, REAR, W/ RECONFIGURABLE REMOTES, COMPONENTS
35.204.230	VAR - 330849 - 2 REMOTE CONTROL VALVES, REAR, W/ RECONFIGURABLE REMOTES, COMPONENTS
35.204.240	VAR - 758294 - 3 REMOTE CONTROL VALVES, REAR
35.204.250	VAR - 758294 - 3 REMOTE CONTROL VALVES, REAR, COMPONENTS
35.204.270	VAR - 758295 - 3 REMOTE CONTROL VALVES, REAR, W/ DIVERTER
35.204.280	VAR - 758295 - 3 REMOTE CONTROL VALVES, REAR, W/ DIVERTER, COMPONENTS
35.204.290	VAR - 758295 - REAR REMOTE CONTROL VALVES, HYDR LINES
35.204.300	VAR - 758295 - 3 REMOTE CONTROL VALVES, REAR, W/ DIVERTER
35.204.310	VAR - 330849, 338844, 758294, 758295 - 3 REMOTE CONTROL VALVES, REAR, BRACKET, ELECTRICAL SOCKET
35.204.320	VAR - 334121, 334195, 390183 - 3 REMOTE CONTROL VALVES, REAR, BRACKET, ELECTRICAL SOCKET
35.204.330	VAR - 758304, 750311, 758295, 758305, 758306, 758307, 758308, 758310 - REAR REMOTE CONTROL VALVES, ELECTRICAL SOCKET
35.204.340	VAR - 334121, 758294, 758295 - REAR REMOTE CONTROL VALVE, CLAMP, BRACKET
35.204.350	VAR - 758820, 758821 - REMOTE CONTROL VALVE, DELIVERY PIPE, W/O MID MOUNT VALVES
35.204.360	VAR - 758820 - REAR REMOTE CONTROL VALVES, MECHANICAL, MID MOUNTED VALVES
35.204.370	VAR - 758821 - REAR REMOTE CONTROL VALVES, ELECTRONIC MID MOUNTED VALVES
35.204.380	VAR - 758821 - REAR REMOTE CONTROL VALVES, ELECTRONIC MID MOUNTED VALVES, COMPONENTS
35.204.390	VAR - 758821 - REAR REMOTE CONTROL VALVES, ELECTRONIC MID MOUNTED VALVES, COMPONENTS
35.204.400	VAR - 758303, 758820, 758821 - ELECTRONIC MID MOUNTED VALVES, PIPE
35.204.410	VAR - 758820, 758821 - ELECTRONIC MID MOUNTED VALVES, PIPE
35.204.420	VAR - 758820 - CABLE, MID-MOUNT CONTROL VALVE
35.204.430	VAR - 758820 - JOYSTICK, MID-MOUNT CONTROL VALVE
35.204.440	VAR - 744942, 744943, 758578, 758610 - REMOTE CONTROL VALVE, COUPLING, FRONT, STANDARD, AXLE
35.204.450	VAR - 744942, 744943, 758336, 758578, 758610 - REMOTE CONTROL VALVE, COUPLING, FRONT, SUSPENDED FRONT AXLE
35.204.460	VAR - 758610 - PIPE COUPLING, STANDARD, AXLE
35.204.470	VAR - 758610 - PIPE COUPLING, SUSPENDED FRONT AXLE
35.204.480	VAR - 758610 - BRACKET, PIPE COUPLING, STANDARD, AXLE
35.204.490	VAR - 744711, 758980 - PLUG, REMOTE CONTROL VALVE
35.204.500	VAR - 744712 - REMOTE CONTROL VALVE, PIPE, MULTIFASTER COUPLER, EU
35.204.510	VAR - 744712 - REMOTE CONTROL VALVE, PIPE, MULTIFASTER COUPLER, EU
35.204.520	VAR - 744713, 758980 - PIPE, FOR LOADER, NA

TABLE OF CONTENTS

35.204.530	VAR - 744713, 758980 - PIPE, W/ ELECTROHYDRAULIC REMOTES, NA
35.204.540	VAR - 330849, 338844, 390183 - REMOTE CONTROL VALVE, RESERVOIR, DUST CAP
35.204.550	VAR - 334195, 758294 - REMOTE CONTROL VALVE, RESERVOIR, DUST CAP
35.204.560	VAR - 334121 - REMOTE CONTROL VALVE, RESERVOIR, DUST CAP
35.204.570	VAR - 758295 - REMOTE CONTROL VALVE, RESERVOIR, DUST CAP, W/ DIVERTER
35.304.010	VAR - 390434 - PUMP (25CC/16CC)
35.304.020	VAR - 390434 - PUMP (25CC/16CC), COMPONENTS
35.304.030	VAR - 334119 - PUMP 80LT (32CC/16CC)
35.304.040	VAR - 334119 - PUMP 80LT (32CC/16CC), COMPONENTS
37.000.00	SECTION INDEX - HITCHES, DRAWBARS AND IMPLEMENT COUPLINGS
37.100.010	VAR - 330905, 330912, 335127, 335129 - DRAWBAR SUPPORT
37.100.020	VAR - 330912 - DRAWBAR AND HITCH, EU
37.100.030	VAR - 330905 - DRAWBAR AND HITCH, NA
37.100.040	VAR - 330928, 332954 - DRAWBAR AND HITCH, TOW HOOK
37.100.050	VAR - 332954 - TOW HOOK
37.100.060	VAR - 330772, 335127 - DRAWBAR AND HITCH, TOW HOOK, AUTOMATIC HITCH
37.100.070	VAR - 335127 - DRAWBAR AND HITCH
37.100.080	VAR - 335129 - DRAWBAR AND HITCH, TOW HOOK
37.100.090	VAR - 335129 - DRAWBAR AND HITCH
37.100.100	VAR - 330952 - DRAWBAR AND HITCH, TOW HOOK
37.100.110	VAR - 335126 - DRAWBAR AND HITCH
37.106.010	VAR - 330772, 335127 - TOW HOOK, AUTOMATIC HITCH, CONTROL
37.106.020	VAR - 330935 - AUTOMATIC PICK-UP HITCH, MECHANICAL, CONTROL
37.106.030	VAR - 331945 - AUTOMATIC PICK-UP HITCH, HYDRAULIC, CONTROL
37.106.040	VAR - 330935 - AUTOMATIC PICK-UP HITCH, MECHANICAL
37.106.050	VAR - 330935 - AUTOMATIC PICK-UP HITCH, MECHANICAL
37.106.060	VAR - 331945 - AUTOMATIC PICK-UP HITCH, HYDRAULIC
37.106.070	VAR - 331945 - AUTOMATIC PICK-UP HITCH, HYDRAULIC, LINE
37.110.010	VAR - 758289 - HYDRAULIC LIFT, CASING, COVER
37.110.020	VAR - 758289 - REMOTE CONTROL VALVE, LIFT ARM
37.110.030	VAR - 758289 - REMOTE CONTROL VALVE, LIFT ARM, W/ AUTOMATIC PICK-UP HITCH
37.110.040	3 POINT HITCH, SUPPORT
37.120.010	VAR - 390435, 392953, 758324, 758325, 758326 - 3 POINT HITCH, REAR, SUPPORT
37.120.020	VAR - 330772, 330928, 330935, 330952, 331945, 332954, 390891 - 3 POINT HITCH, REAR, BOLT

**Thanks very much for your reading,
Want to get more information,
Please click here, Then get the complete
manual**

JustClickHere 

NOTE:

**If there is no response to click on the link above,
please download the PDF document first, and then
click on it.**

**Have any questions please write to me:
admin@servicemanualperfect.com**